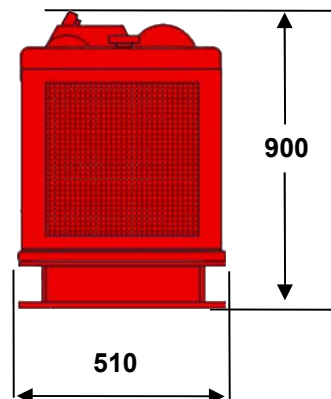
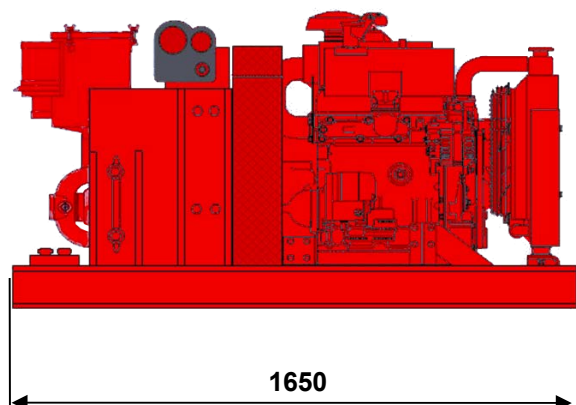


The H550d POWER PACK is a high quality low cost Diesel Engine drive power pack. All Japanese technology. Oil Free air from HORI 550v compressor. High quality Yanmar water cooled Diesel unit. Yanmar have produced more than 5 million diesel engines worldwide.

Suitable for: Cement, Flour, Calcium Carbonate, Fly Ash, Hydrated Lime etc.

- ★ Low Noise
- ★ Low Vibration
- ★ Low Maintenance
- ★ Low Weight
- ★ Low Cost
- ★ Very Quiet Diesel Engine
- ★ Pressure up to 2,5 bar
- ★ Oil Free
- ★ Low Bearing Speeds
- ★ Low Power
- ★ Low Fuel Consumption
- ★ 3 year warranty compressor
- ★ 2 year warranty on Yanmar
- ★ Flow 550 m³/h



Description	Unit	Details
Flow (2,0 bar)	m ³ /h	550
Yanmar Diesel Engine	rpm	2200
Working Pressure	bar (g)	2,0 bar (more if required)
Power consumption (2,0 bar)	kW	21 max.
Engine type	3 cyl	Water cooled
Diesel Power	kW	23
Dimensions	mm	510 x 1650 x 900 high
Weight inc. accessories	kg	500kg (approx)

Benefits

- ✦ Oil free
- ✦ Low maintenance compressor
- ✦ Oil change 1 time per year (compressor)
- ✦ Standard 3 year guarantee
- ✦ Fuel Tank gives 8 hrs running (approx)

Advantages

- ✦ Low noise
- ✦ Low power
- ✦ Low bearing rpm
- ✦ Low weight
- ✦ Low compressor rpm